



## INSTALLATION INSTRUCTIONS

### TOOLS REQUIRED:

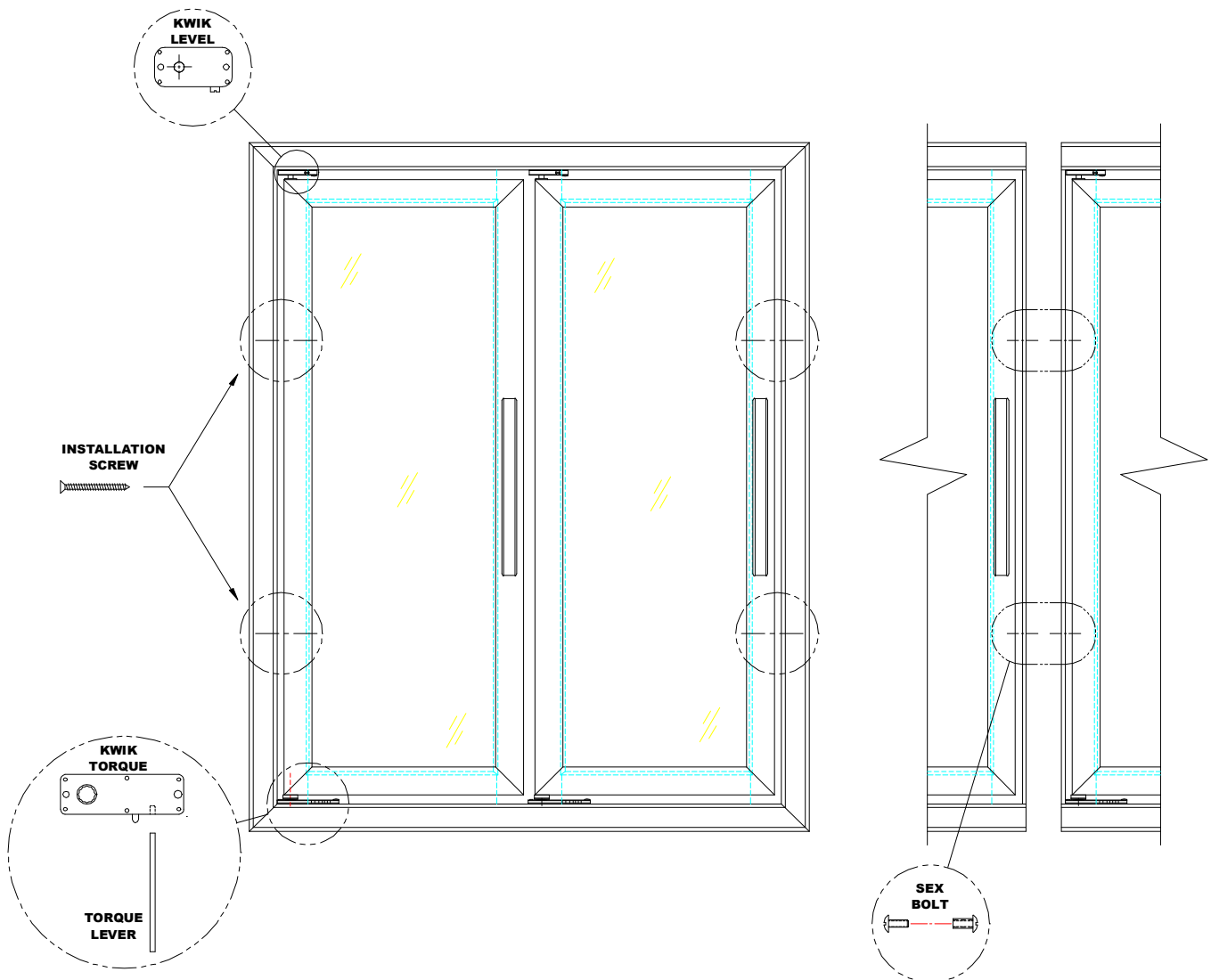
Level  
Square  
Phillips Screw Driver

Slot Screw Driver  
Pliers  
Clamp

### PARTS PROVIDED:

Frame Installations Screws.  
Sex Bolt.  
Torque Lever  
Shelf Post Brackets

4 per door. (#8 x 1-3/4")  
4 per frame joint.  
2  
2 per door, plus 2 per frame.



READ INSTRUCTIONS CAREFULLY AND COMPLETELY BEFORE INSTALLATION!  
*Commercial Display Systems, LLC*

INSTALLATION INSTRUCTIONS  
FRAMES

BEFORE BEGINNING, CHECK THAT YOUR OPENING IS SQUARE

- 1.) The frames are manufactured as whole frames or sections from 1 to 5 doors:
  - a) If your frame is 1 to 5 doors, then your frame will have flanges on all four sides (top, bottom and both sides).
  - b) If your frame is made of 6 or more doors, then you will have more than one frame section. These sections are designed to be joined together to form one “continuous” line-up. A line-up will consist of one left end frame section and one right end frame section, and as many center frame sections as are required to fill the line-up. The left end sections have flanges on the left end and top and bottom; center sections have flanges only at the top and bottom; right end sections have flanges on the right end and top and bottom.
  
- 2.) Positioning frame in opening:
  - a) When installing a whole frame of 5 doors or less as described in Sec. 1, center frame within opening. If you have a gap greater than 1/8” between your frame and the rough opening, then shimming is required to keep frame square in the opening during screw installation.
  - b) “Continuous” line-ups can be started from either the left or right end. Position the left or right frame section as close to the corresponding end of the opening as possible without forcing frames out of alignment.
  
- 3.) Securing frames in opening:
  - a) Install one screw at bottom of frame. Clamp top of frame to cooler for safety. Check that frame ends are vertical and level, front to back and side to side. Insert shims as required for permanent installation. Install a screw at top of frame and remove clamp.
  - b) A diagonal measurement must be within 1/8” of being equal before fastening top of frame. (Figure 1). A frame out of square can result in a door sag or improper closing.

Note: Before proceeding to 3c, if continuous line-up, install multiple frames and secure with screw as described in section 4a.

  - c) Install the remaining frame screws (4 per door plus, 4 per frame section), continue to shim at each installation screw as required.

**Note: If the extra few minutes are taken at this point to properly level the first frame section, hours will be saved on the balance of installation.**
  
- 4.) Add the remaining sections to complete a “continuous” line-up:
  - a) Install remaining frame sections (all of the center sections first, then the end) by clamping the frame in position (for safety) and securing the section to previously installed section at the joint BEFORE installing any top or bottom frame screws. This will allow you to align the joints and ensure that the next section is also level.
  - b) Secure this section at the top and bottom with frame installation screw, again shim where necessary at screw installation. Once square and plumb has been checked, balance of screws may be installed.
  - c) Caulk perimeter of frame on refrigeration side (inside case) and at all frame joints as required.

You are now ready for an Electrician to connect power to the junction box or flexible conduit that is mounted to back top of frame. A Wiring Diagram is provided next to the Junction box or flexible conduit exit. We recommend that switches be installed one for lights and one for heaters, to enable power to be switched off when service is not required.

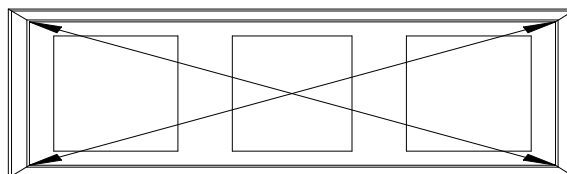


FIGURE 1.

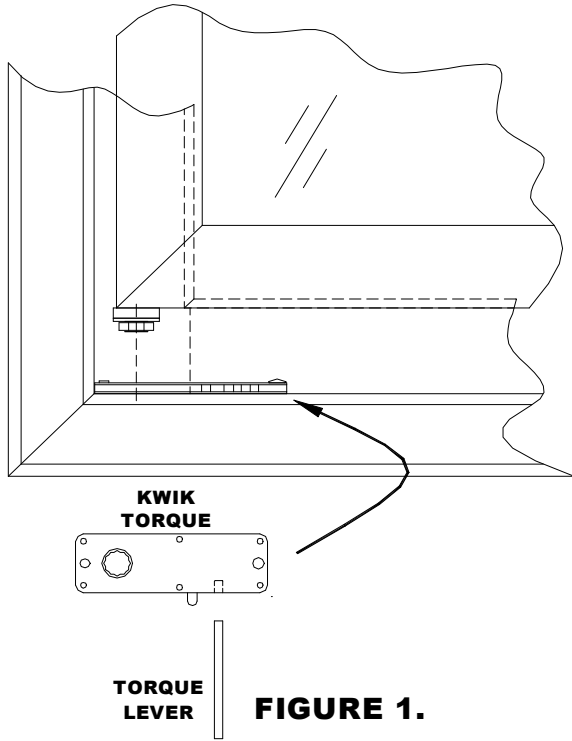
INSTALLATION INSTRUCTIONS  
DOORS

- 5.) Mounting doors into frames:
- a) Hold door on each side with the door handle facing you. Lift and align bottom door hinge with hinge housing mounted at bottom of frame (Kwik Torque).
  - b) Seat the self closing wheel into hinge housing (Kwik Torque). The weight of the door will now be resting on the frame. (Figure 1)
  - c) Align top spring loaded Hinge Pin with top door hinge mounted to top of frame (Kwik Level).
  - d) Press down on the spring loaded Hinge Pin, while moving the door back into the frame door opening until the Hinge Pin clicks in the top door hinge. (Figure 2)
- Pull on door handle to ensure that Hinge Pin has seated properly into Kwik Level.**
- e) **Install black plastic Safety Clip in gap between top of door and Kwik Level on Hinge Pin.**  
**(Must be installed to prevent door from falling out of frame)** (Figure 2)
- 6.) Plug in the door heater cord:
- a) Plug cord into receptacle on the inside top of frame. (Figure 3)
  - b) Secure plug with the attached 5/8" Phillips screws.
- 7.) With door in closed position, you will engage the torque operated self closing mechanism:
- a) Using the Torque Lever, insert lever into the exposed square opening on the bottom door hinge. (Figure 1)  
Turning the lever towards the handle will set torque.
  - b) If your door is hinged right, turn the lever to the left; if your door is hinged left, turn the lever to the right.  
Caution: Excessive torque may result in damage. Factory recommends 3 to 4 clicks maximum for proper door torque.
- 8.) How to release Door Torque:
- a) To release torque, insert Torque Lever into bottom door hinge.
  - b) Turn lever in same direction as if setting torque (towards handle see sec. 7a) to free pawl arm, pull pawl arm and hold while turning torque lever back towards hinge. You will hear the torque unwind. If you can not hold pawl arm with finger, use needle nose pliers for this operation.

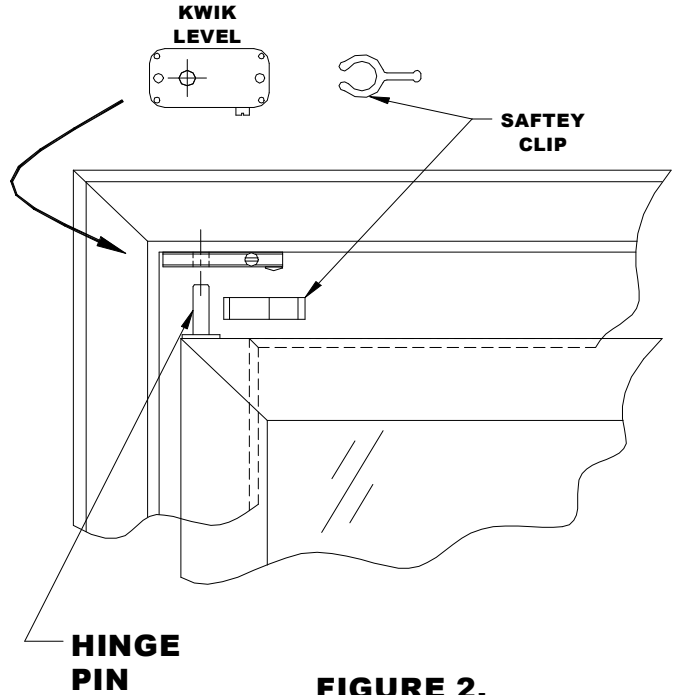
LIGHTS

- 9.) **Prior to making Electrical connection for lights, inspect lamps making sure lamps are properly seated in lamp sockets. Lamps may have come dislodged during shipping.** The light fixtures and ballasts are pre-wired. When electrician connects power to frame, the lights will have power.
- 10.) To install lamps with guard already in place as shipped, align lamp terminal end with Top socket that is attached to the frame. (Figure 4) Insert lamp into spring loaded socket, push up and insert lamp into bottom stationary socket.

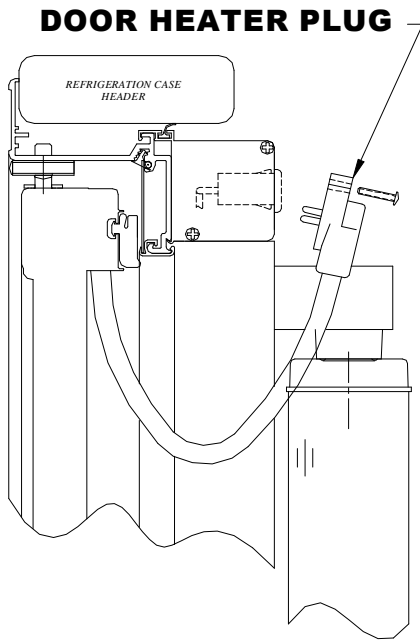
INSTALLATION INSTRUCTIONS  
DOOR



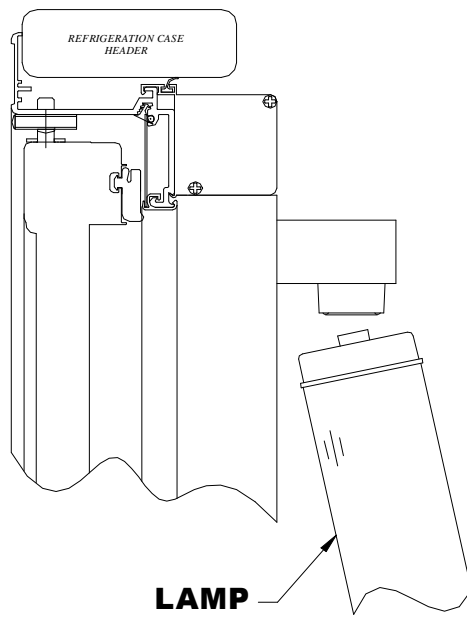
**FIGURE 1.**



**FIGURE 2.**



**FIGURE 3.**



**FIGURE 4.**

INSTALLATION INSTRUCTIONS  
SHELVES

- 11.) Mount shelf post to shelf post brackets which are then mounted to the frame brackets:
  - a) Begin shelf installation at center of door line-up and work out in either direction.
  - b) Hold one shelf post so that the post-leveling bolt is resting on floor. (Figure 6)
  - c) Slide two shelf post brackets onto shelf post, leaving slots completely exposed. (Figure 7)
  - d) Hold post so that the brackets do not slide off the post.
  - e) Slide top bracket and hook into top frame bracket as shown in Figure 8. Slide the second bracket into bottom frame bracket.
  - f) Continue to mount each front post until all front post is installed on frame. The slots in all post should face toward back of cooler (away from frame).
  - g) Use leveling bolt on bottom of each post to adjust for uneven floors. Use relationship between brackets and slots in post as a leveling guide.
  
- 12.) Begin hanging shelves on post:
  - a) Start at either end of the line-up. Have two-shelf post and two shelves.
  - b) Insert prongs on front of shelf, prongs pointing down into slots on the front shelf post, approximately 12” down from top of door. (Figure 9)  
**Note: Front prong of shelf must be set into post as shown for proper shelf alignment. Inserting too deep may cause alignment problems for adjacent shelves.**
  - c) Holding back of shelf, stand loose shelf post with leveling bolt on the floor, insert prong on back of the shelf in approximately same level as the front post.
  - d) Hang a second shelf at bottom approximately 12” from floor.
  
- 13.) Continue adding one more post and two more shelves on same level as first pair of shelves.
  
- 14.) Adjust leveling bolts on back post so that the shelves are level.
  
- 15.) Customer’s merchandizing plan will determine where the rest of shelves are to be located and if any of the first installed need to be adjusted.

INSTALLATION INSTRUCTIONS  
SHELVES

**INSERT PRONG UPTO  
PRONG DETENT ONLY  
(INSERTING PAST DETENT WILL  
CREAT SHELF ALIGNMENT  
PROBLEMS ON ADJACENT SHELVES)**

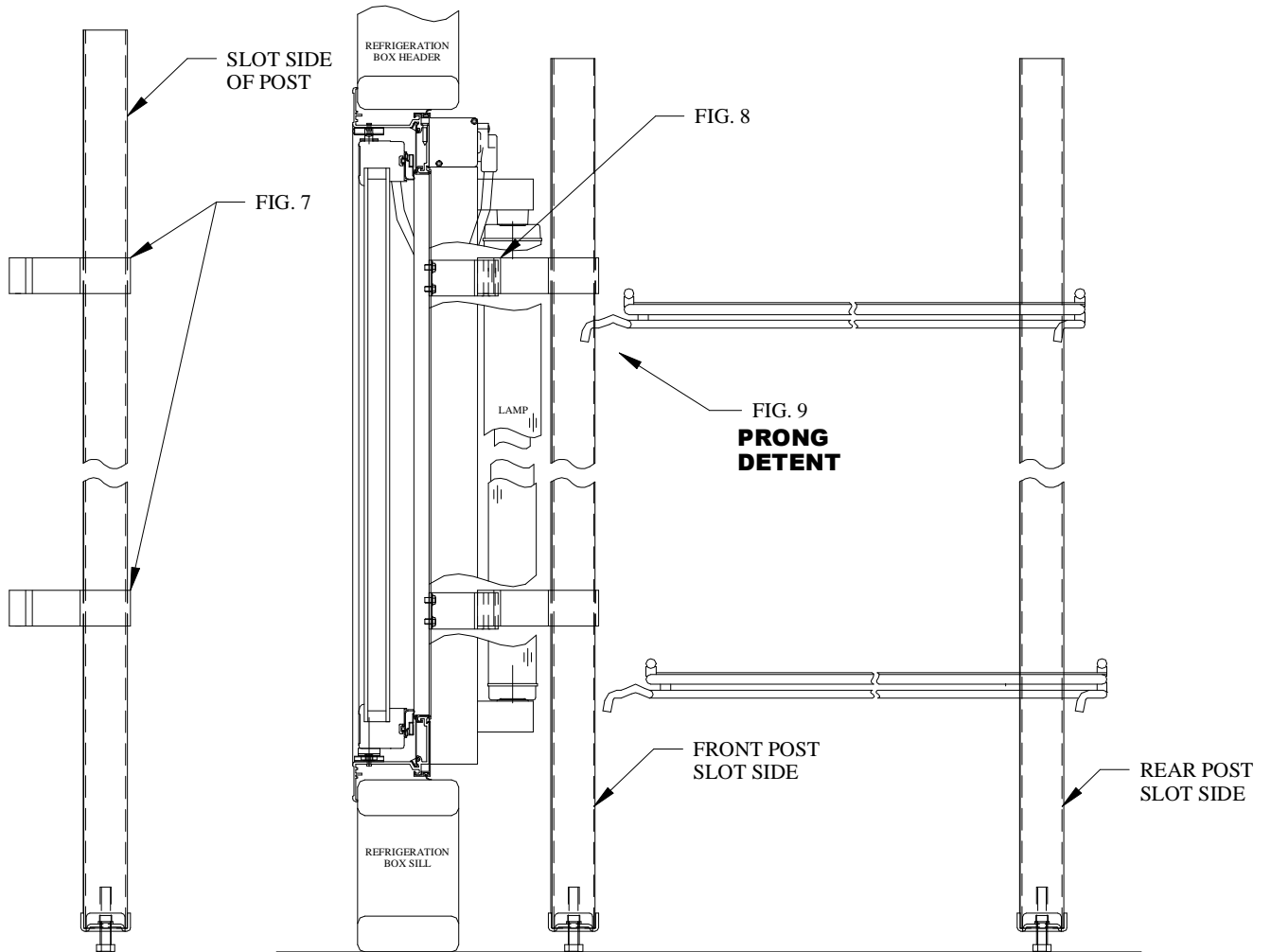
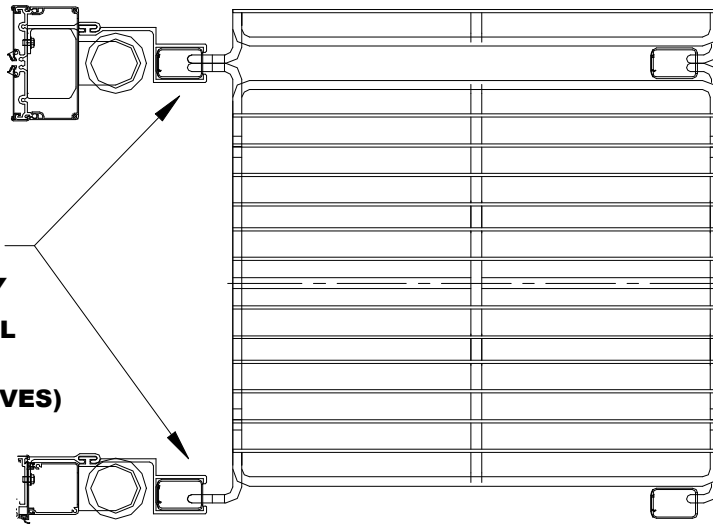


FIGURE 6 & 7

FIGURE 8 & 9